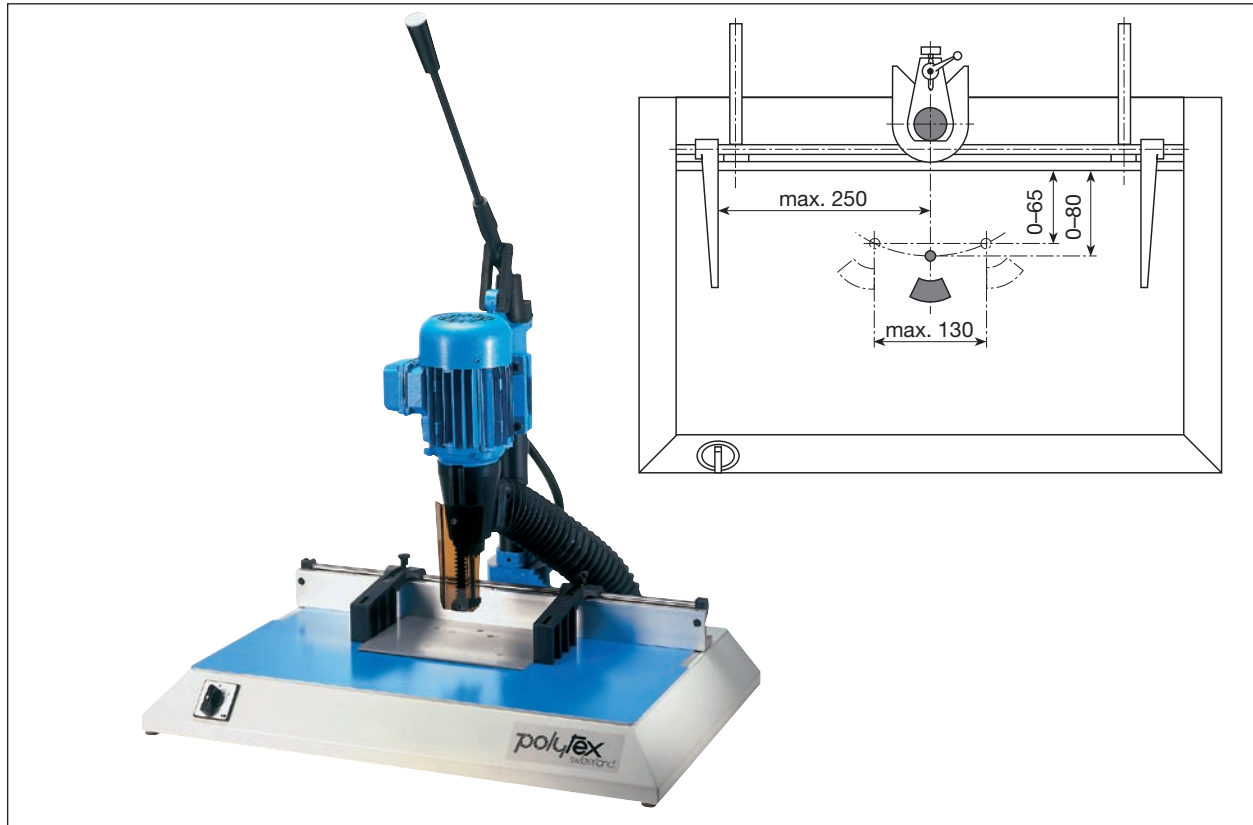


## Fabric drilling machine

«BO»



- Suitable for textiles, leather as well as paper and plastic materials
- Ideal for sample collections and bunches.
- Solid construction
- Swivelling spindle with precision adjustment of hole distance
- Easy to operate

### Technical Data

Drill Ø	3–15 mm (1/8"–5/8")	
Stroke	50 mm (2")	
Motor	0.25 kW	
Electrics	1 x 230 V / 50 Hz	
Overall dimensions	length	700 mm (28")
	width	550 mm (22")
	height	900 mm (36")
Weight	gross	40 kg (88 lb.)
	net	30 kg (66 lb.)

Subject to design changes